

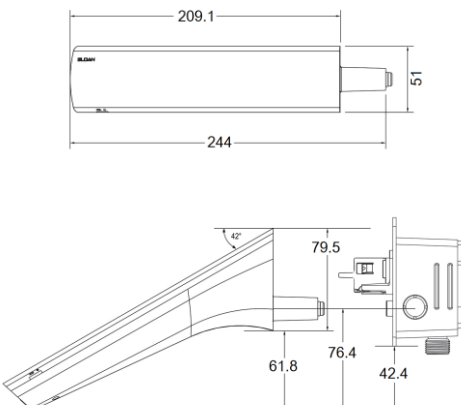




PROJECT		REF		REV	ITEM CODE	
LOCATION		DATE			PAGE	

SANITARY WARE SPECIFICATION SHEET

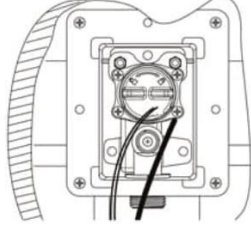
<p>Item Descriptions</p> <p>Dimensions</p> <p>Model</p> <p>Finish</p> <p>Material</p> <p>Manufacturer</p> <p>Supplier</p> <p>Contact Tel/Fax</p> <p>E-mail</p> <p>Website</p>	<p>Sloan (USA) "Basys" Battery-powered wall-mounted sensor activated lavatory faucet, DC supply</p> <p>L244 x W51 x H141 mm</p> <p>EFX-850</p> <p>Silver</p> <p>Stainless Steel / Engineered thermoplastic / EPDM / Copper / Copper alloy</p> <p>Sloan (USA Brand)</p> <p>Acme Sanitary Ware Co. Ltd Mr. Eric Wong/ Mr. Wilson Hung (852) 2388-7171 / (852) 2710-8012 acme@acmesanitary.com.hk www.acmesanitary.com.hk</p>	<p style="text-align: center;">Illustration/ Drawing</p> <div style="text-align: center;">  </div> <div style="text-align: center; margin-top: 20px;">  </div> <div style="text-align: center; margin-top: 20px;">  </div>
<p>Features Commercial Grade, ADA Compliant, Electronic, Sensor Activated, Die-Cast Metal Hand Washing Faucet with the following features:</p> <ul style="list-style-type: none"> • One tool service • All wetted components are stainless steel, engineered thermoplastic, EPDM, and copper or copper alloy • Solenoid housed in removable carrier that includes supply strainer • Integral above deck water supply shut off • Supply strainer serviceable from above deck • Vandal resistant spray insert, key housed inside faucet body • All electronics sealed to IP-67 • Gold plated electrical contacts • Above deck individual diagnostic indicators for battery life, solenoid condition, and power-up mode • Bi-stable magnetic solenoid • One (1) CR-P2 battery • Double infrared sensors with automatic setting feature • Optional Wall Flange included • Line Purge mode, eliminates stagnant water • Adjustable time-outs and sleep/cleaning mode • Sleep/cleaning Mode • Includes all mounting hardware 		

** All information of the above is for reference only. No prior notice is made if any changes.*



1 - PREPARE WALL

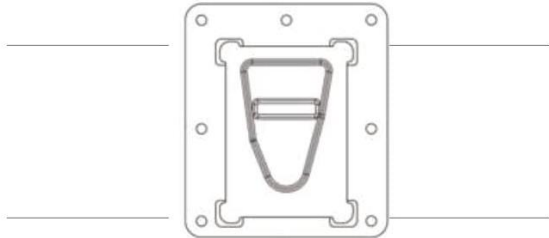
- A** Mount box to wall cavity in accordance with local building codes, ensuring box is level and centered over basin.



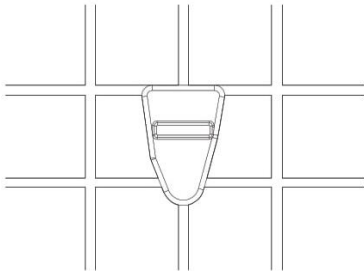
- B** Connect water supply (per codes), see Step 2.

- C** Hardwire Only - Remove one of the knockouts on the side of the mounting assembly. Route extension cable through opening per local electrical codes. Extend cable out of mounting assembly ~4" (101 mm).

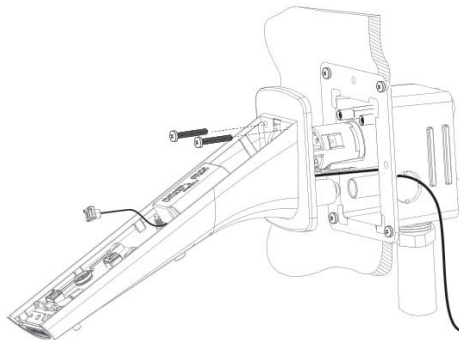
- D** Loop cable and install mud guard to protect wall while finishing.



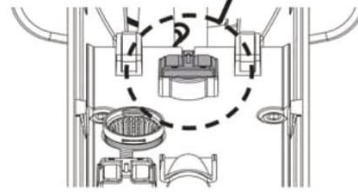
- E** Finish wall and trim mud plate flush to wall.



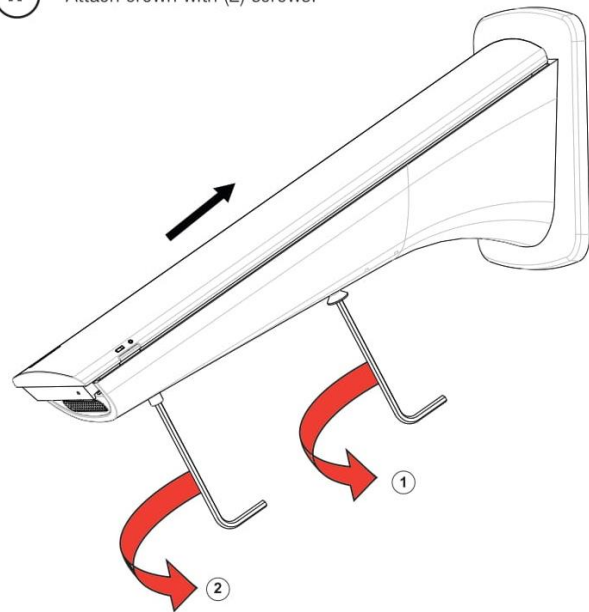
- F** Slip Spout into place. Use supplied wall plate to cover any tile gaps. Use supplied screws to attach spout wall box to two (2) places.



- G** Rotate solenoid cable under battery pack and insert into holder (as shown). Note the polarity.



- H** Attach crown with (2) screws.



NOTES:

1. Optional Wall Flange is SUPPLIED with faucet.
2. Minimum finished wall thickness 1/16" (1.6 mm) (with wall flange).
3. Maximum finished wall thickness 1" (25.4 mm) (without wall flange).



Acme Sanitary Ware Co. Ltd.

1/F, Acme Building, 22-28 Nanking Street, Kowloon, Hong Kong

Tel: 2388 7171 Fax: 2710 8012

Email: acme@acmesanitary.com.hk

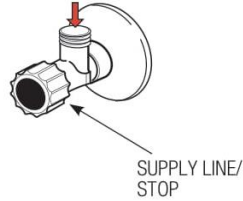
Website: www.acmesanitary.com.hk

Since 1949

SLOAN®

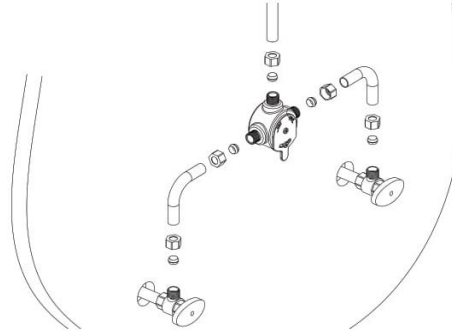
2 - CONNECT TO WATER SUPPLY

A IMPORTANT: FLUSH DIRT, DEBRIS, AND SEDIMENT FROM SUPPLY LINE(S) BEFORE CONNECTING WATER SUPPLY. A PURGE TUBE ASSEMBLY IS SUPPLIED FOR PURGE SUPPLY LINE (SEE BELOW).

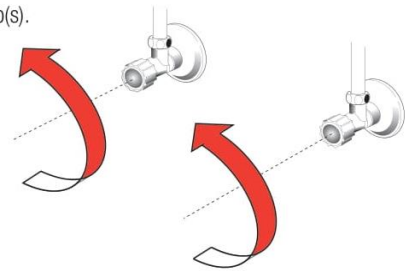


NOTE: PLEASE CHECK AND INSTALL PER LOCAL PLUMBING CODES.
NOTE: SUPPLY LINES FROM SUPPLY STOPS TO FAUCET SUPPLIED BY OTHERS.

B Connect check tee or mixing valve to hot and cold water supplies.



C Open supply stop(s).

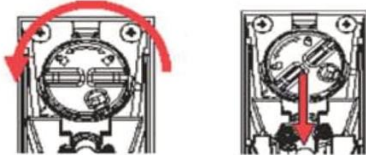


USE OF PURGE TOOL

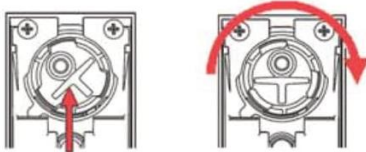
A purge tube assembly is provided to purge the supply line.



A After water supply is connected, open the supply stop(s). Rotate the solenoid caddy counter-clockwise to a 45° angle to align with the arrow. Remove solenoid caddy from the faucet.



B Insert the purge tube assembly at a 45° angle and rotate it clockwise to align with the arrow. Flush water to remove all dirt and debris from the line.



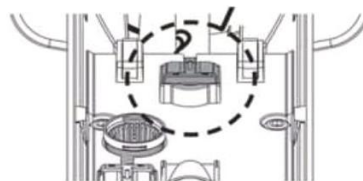
C Rotate the purge tube assembly counter-clockwise to a 45° angle and remove from the faucet.



D Insert the solenoid caddy at a 45° angle and rotate it clockwise to align with the arrow. Locking the unit and opening the water path.

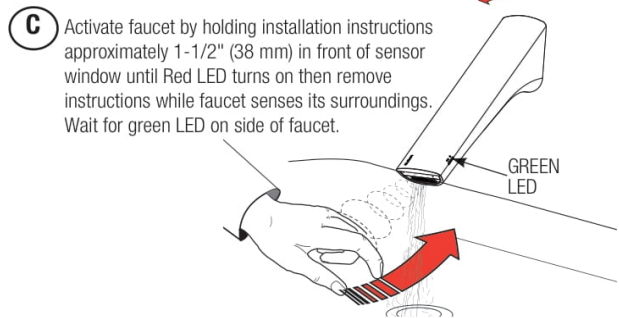
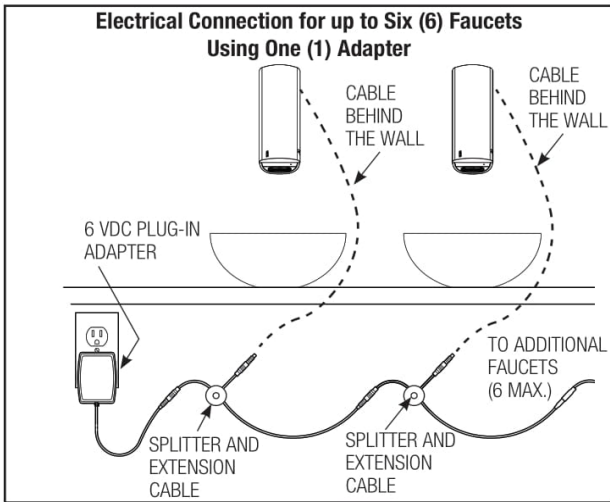
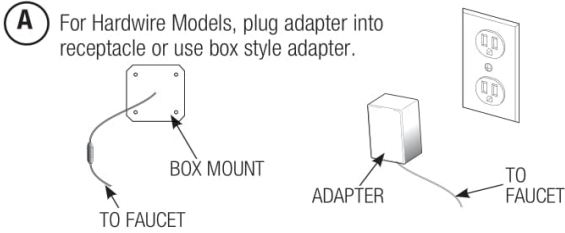


E Route the solenoid cable under the battery pack and insert into the holder (as shown). Note the polarity.





3 - START-UP SEQUENCE



D Activate faucet and check for leaks. If faucet DOES NOT function, refer to the troubleshooting section.

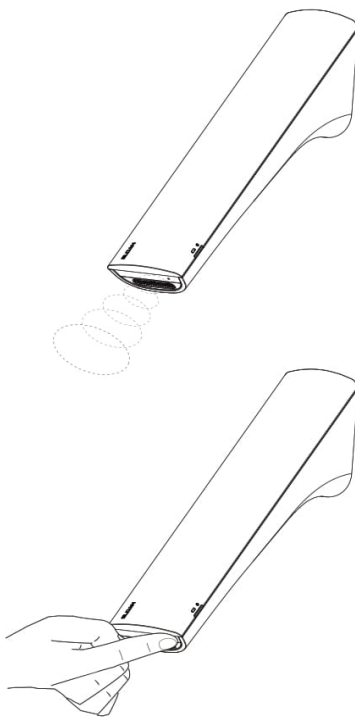
NOTE: HARDWIRE FAUCETS SUPPLIED WITH ONE (1) 47" (1.2 m) EXTENSION CABLE.

NOTE: EXTENSION CABLES AVAILABLE SEPARATELY.

NOTE: USE ONLY SLOAN SUPPLIED POLARIZED AND KEYS CABLE ASSEMBLIES.

IMPORTANT: CUTTING AND SPLICING WIRES WILL VOID WARRANTY.

ADDITIONAL FUNCTIONS



Function	Steps to Activate Function	Default Setting	IR Clic
IR Activation	Cover IR clic approximately for 2 sec. until LED will flash GREEN 1x - then remove finger from IR clic (Active for 5 sec.)	—	—
Cleaning Mode	IR Activation; Cover IR clic 2x - confirmation of the function is active by a couple flashes by the LED; to return to normal operation cover IR clic 1x or the faucet will automatically return to normal function after 2 min.	2 min.	—
12/24 Line Purge Feature	See below.	Off	Off 12HR 24HR
Sensor Range Adjustment	See page 7.	6	1-8
Reset Electronics	IR Activation Cover IR clic 2x; LED will flash 5x Cover IR clic 1x for 5 sec. until LED flashes 4x, then remove finger from IR clic Wait for 20 sec. (After 10 sec. water will flow for 6 sec. and automatically adjust to environment)	Manually	—
Security Off	After 90 seconds (max) of hand and/or object within sensor appears permanent, waterflow will stop and will remeasure environment	On	—

Please contact factory for more extensive programming options.



Acme Sanitary Ware Co. Ltd.

1/F, Acme Building, 22-28 Nanking Street, Kowloon, Hong Kong
 Tel: 2388 7171 Fax: 2710 8012
 Email: acme@acmesanitary.com.hk
 Website: www.acmesanitary.com.hk



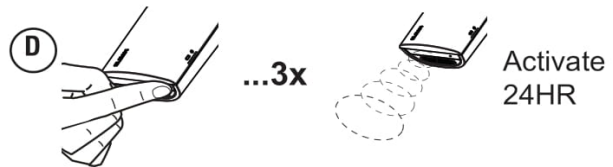
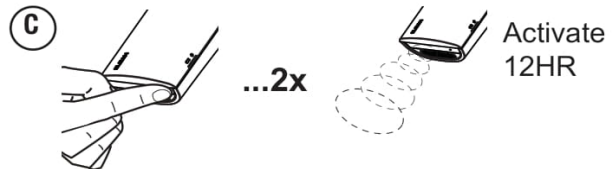
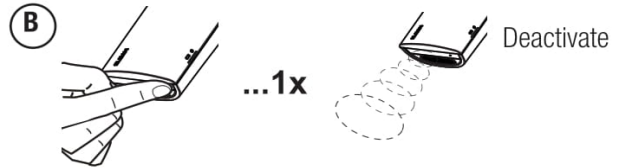
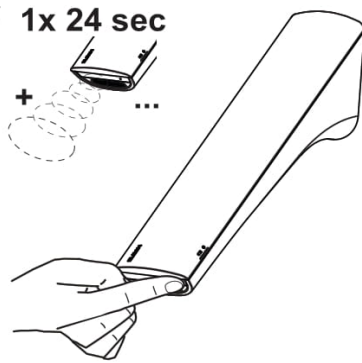
12/24 LINE PURGE FEATURE

This feature will operate the faucet every 12 or 24 hours since last use, if not used to prevent stagnant water conditions.

Default purge duration is two minutes.

Consult factory regarding other timing options.

- (A)** IR activation (see above). Cover IR clic approximately 24 sec. (ignore LED indications during this period). Release when requested program is reached. (See diagram to right). Programming mode will time out after 2 minutes if no changes are made.

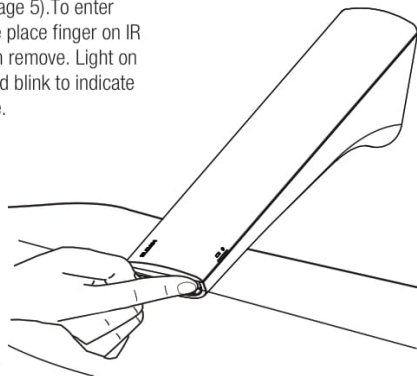


SENSOR RANGE ADJUSTMENT

FACTORY SETTING IS APPROPRIATE FOR THE MAJORITY OF APPLICATIONS AND SHOULD NOT REQUIRE RESETTING UNLESS UNDER EXTREME SITUATIONS: HIGH REFLECTION OR LOW LIGHT.

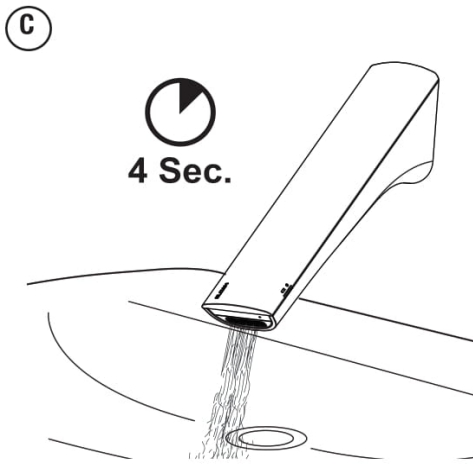
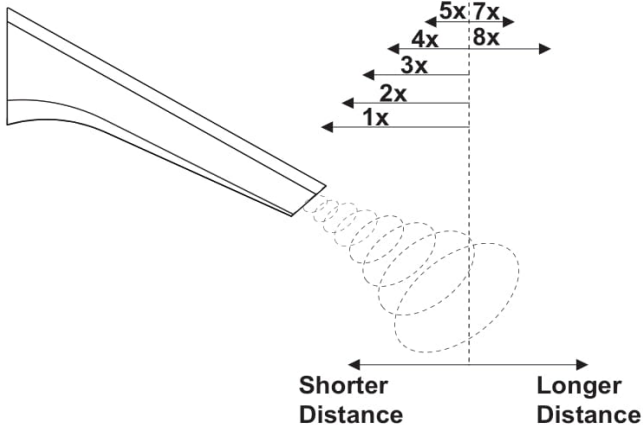
- (A)** IR Activation (see page 5). To enter programming mode place finger on IR clic for 2 times then remove. Light on side of crown should blink to indicate programming mode.

2x +
1x 5 sec

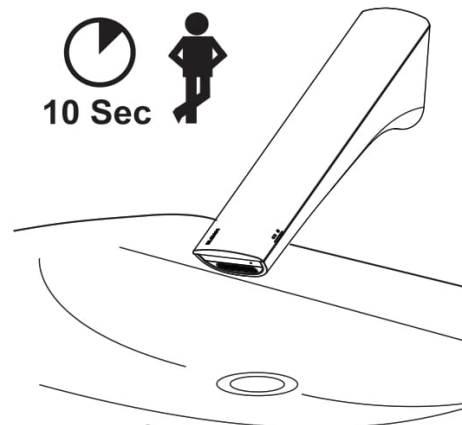


- (B)** Cover IR clic until LED flashes RED 4 times – hold IR clic until LED flashes 1 time to 8 times from minimum to maximum range. See diagram below. Release when requested range is reached.

6x - Factory Setting



- (D)** Wait, until LED flashes GREEN.



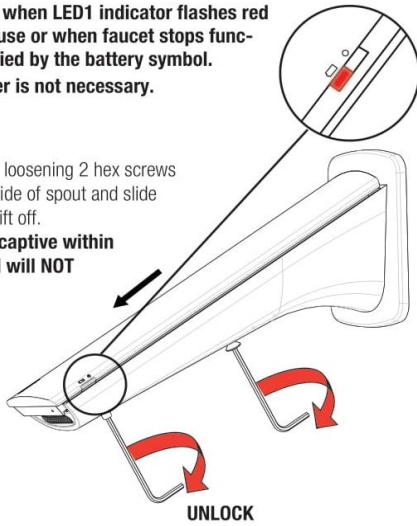


BATTERY REPLACEMENT

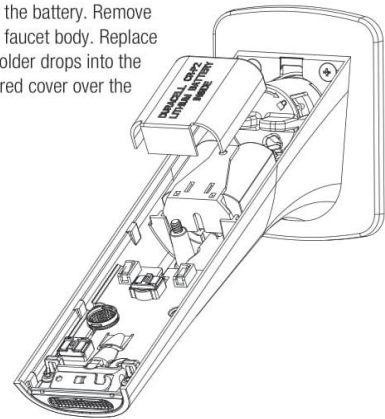
NOTE: Replace Battery when LED1 indicator flashes red each time faucet is in use or when faucet stops functioning. LED1 is identified by the battery symbol.

NOTE: Turning off water is not necessary.

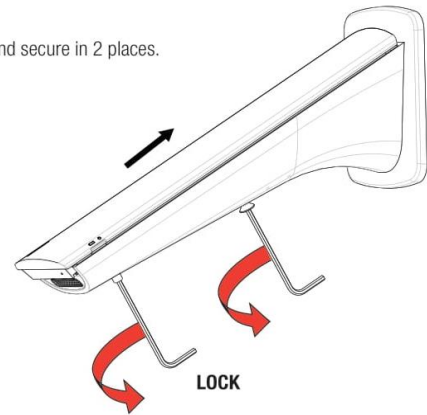
- A** Remove crown by loosening 2 hex screws located on underside of spout and slide crown down and lift off.
NOTE: Screw is captive within faucet body and will NOT fall out.



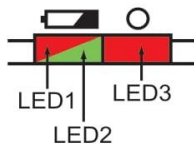
- B** Remove red cover over the battery. Remove battery holder from the faucet body. Replace battery in the holder. Holder drops into the faucet body. Place the red cover over the battery.



- C** Slide on crown and secure in 2 places.



LED DISPLAY DIAGNOSTIC CODES



Function	LED1	LED2	LED3	Description 1	Description 2
Start Up Boot	Red diagonal lines	Green diagonal lines		LED1 and LED2 alternate blinking	Fast Toggle
Battery Check after Start Up	Solid red			LED1 on for 2 sec, if battery greater than 3.5V	
Line Power Check after Start Up			Solid red	LED3 on for 2 sec, if line power is greater than 3.5V	
IR Adjust Process	Red diagonal lines			LED1 blinking while IR adjusts	Few seconds
IR Adjust OK		Solid green		LED2 on for 2 sec, if adjustment OK	
Battery Low	Red diagonal lines			LED1 blinks 3x, if battery is less than warning level	Only while in detection mode
Battery Empty	Red diagonal lines			LED1 double flashes 3x, if battery is less than empty level	Only while in detection mode
Valve Error			Red diagonal lines	LED3 double flashes 3x, if valve current error; flash after the 3rd error, off after the 3rd good operation	Flashes after the 3rd error, off after the 3rd good operation
IR Activation		Solid green		LED2 on for 2 sec, if IR-click has been activated	After 5 sec. automatically back to operating mode
Cleaning Mode	Red diagonal lines			LED1 4-in-1 flash, if cleaning mode is activated	During "Cleaning Mode" is activated Permanent 4-in-1 flashes



Acme Sanitary Ware Co. Ltd.

1/F, Acme Building, 22-28 Nanking Street, Kowloon, Hong Kong
 Tel: 2388 7171 Fax: 2710 8012
 Email: acme@acmesanitary.com.hk
 Website: www.acmesanitary.com.hk

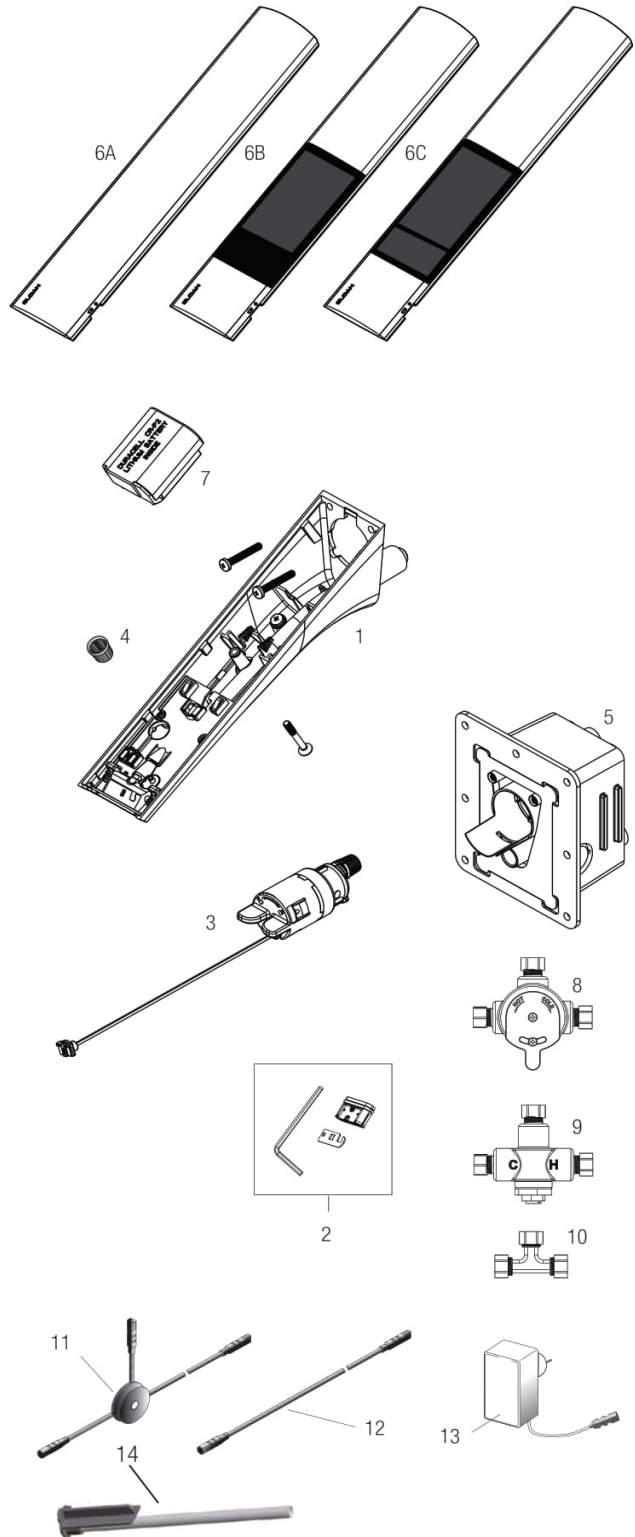
SLOAN®

PARTS LIST

Item #	Part #	Description
1	-	Wall Mount Faucet Assembly
2	EFX-1002-A	0.5 gpm/1.9 Lpm Multi-Lam Spray Insert (includes insert, o-ring, 2.5 mm allen key, and removal tool)
	EFX-1001-A	1.5 gpm/5.7 Lpm Aerated Stream Insert (includes insert, o-ring, 2.5 mm allen key, and removal tool)
	EFX-1000-A	1.5 gpm/5.7 Lpm Laminar Stream Insert (includes insert, o-ring, 2.5 mm allen key, and removal tool)
3	EFX-1011-A	0.5 gpm/1.9 Lpm Solenoid Valve Caddy Assembly – Wall (Green)
	EFX-1012-A	1.5 gpm/5.7 Lpm Solenoid Valve Caddy Assembly – Wall (Blue)
4	EFX-19	Strainer (Filter)
5	EFX-1013-A	Mounting Assembly
6A	EFX-1009-A	Bowed Crown Assembly
6B	EFX-1010-A	Solar Crown Assembly
6C	EFX-1018-A	Solar Crown with LCD Assembly
7	EFX-1015-A	CR-P2 Lithium Battery
8	MIX-60-A	Mechanical, Below Deck Mixing Valve
9	MIX-135-A	Thermostatic, Below Deck Mixing Valve
10	ETF-617-A	Bak-Chek Tee Assembly
11	EAF-23-A	Splitter
12	EAF-24-A	11-13/16" (300 mm) Extension Cable
	EAF-25-A	47-1/4" (1200 mm) Extension Cable
	EAF-17-A	126" (3200 mm) Extension Cable
13	EAF-11	Plug-in Voltage Adapter (US)
	EAF-39	Plug-in Voltage Adapter (UK)
	EAF-41	Plug-in Voltage Adapter (EU)
	EAF-37	Box Mount Adapter
14	—	Purge Tool

NOTE: If changing flow rate caddy and spray insert must be changed in conjunction.

† Single Supply faucets include Bak-Chek®



Manufactured by Sloan Valve Company under one or more of the following patents: U.S. Patents. Other Patents Pending. BAK-CHEK®, BASYS™, Any Application. Any Environment.™

The information contained in this document is subject to change without notice.